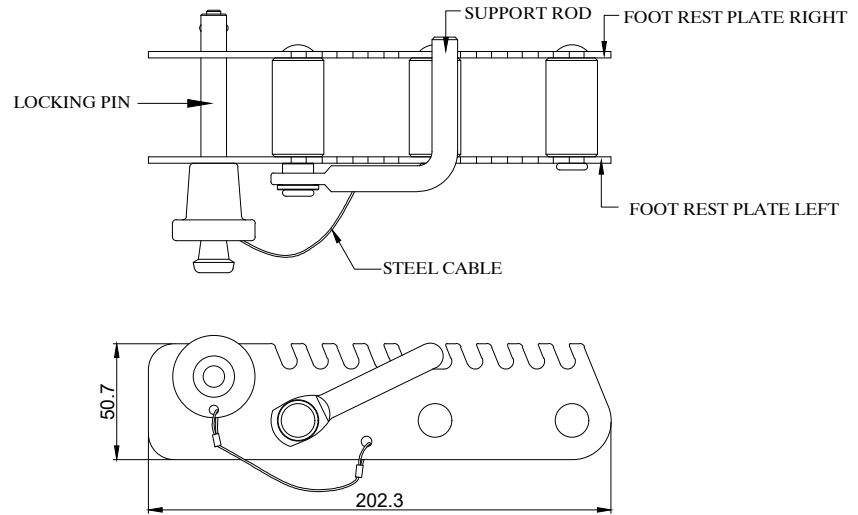


REVISION	02
DATE	19.05.22

TECHNICAL DATA SHEET

PRODUCT : FOOT REST

REF NO. : PN 800(42)



01	DESIGN	<ul style="list-style-type: none">• Foot rest designed to be mounted on the leg of tripod to easily access the tripod head.• Locking pin arrangement for easy installation on tripod leg.
02	MATERIAL	<ul style="list-style-type: none">• Alloy steel.
03	FINISH	<ul style="list-style-type: none">• ED Coated black.

04	WEIGHT	<ul style="list-style-type: none">705.0 gm \pm 10 gm.
----	--------	--

PRODUCT IMAGE

