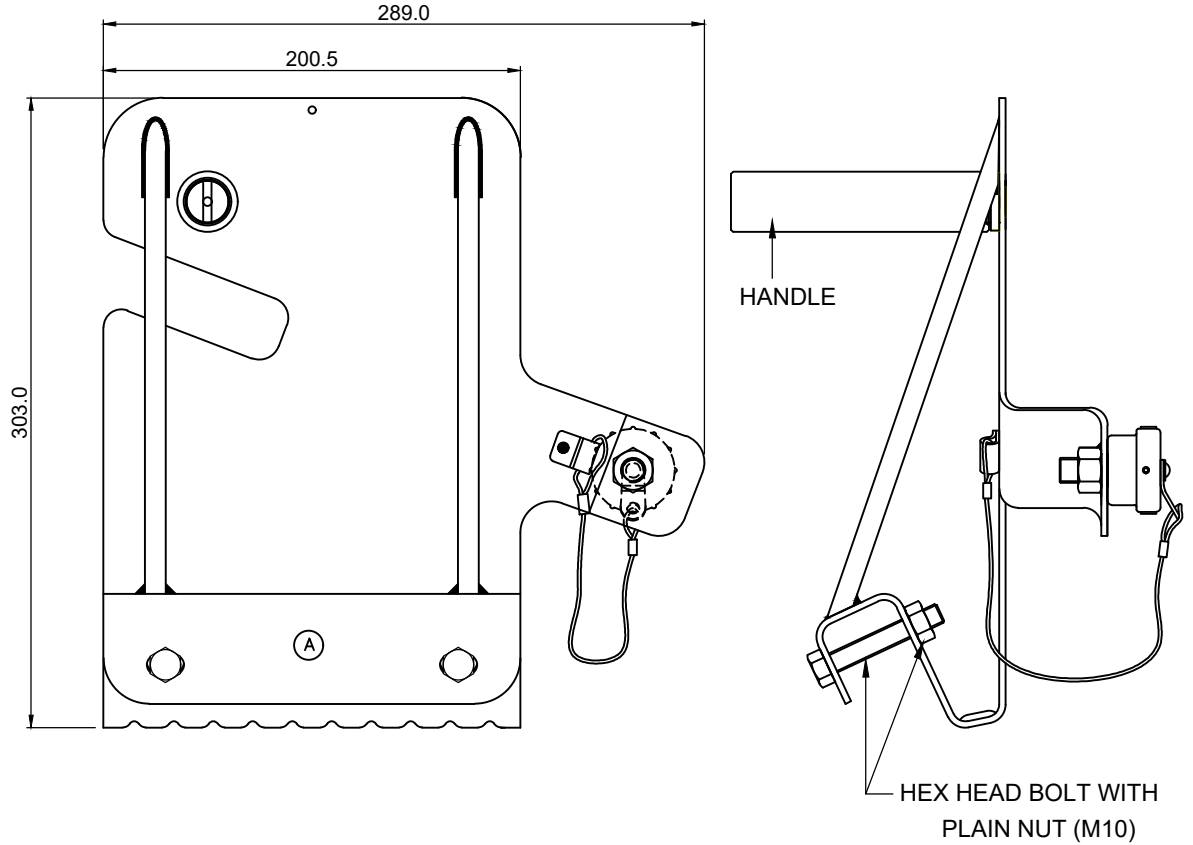


REVISION	00
DATE	28.12.22

TECHNICAL DATA SHEET

PRODUCT : RETRIEVAL MOUNTING BRACKET

REF NO. : PN 800A(R)(09)



01	DESIGN	<ul style="list-style-type: none"> • Mounting bracket designed to mount Retrieval block PCGS 30R on the leg of tripod PN 800. • Hex head bolt and nut for easy installation on Tripod leg.
02	MATERIAL	<ul style="list-style-type: none"> • Alloy steel.
03	FINISH	<ul style="list-style-type: none"> • Powder Coated black.

04	WEIGHT	<ul style="list-style-type: none">• 2.840 kgs ± 0.020 kgs.
----	--------	--

PRODUCT IMAGE

