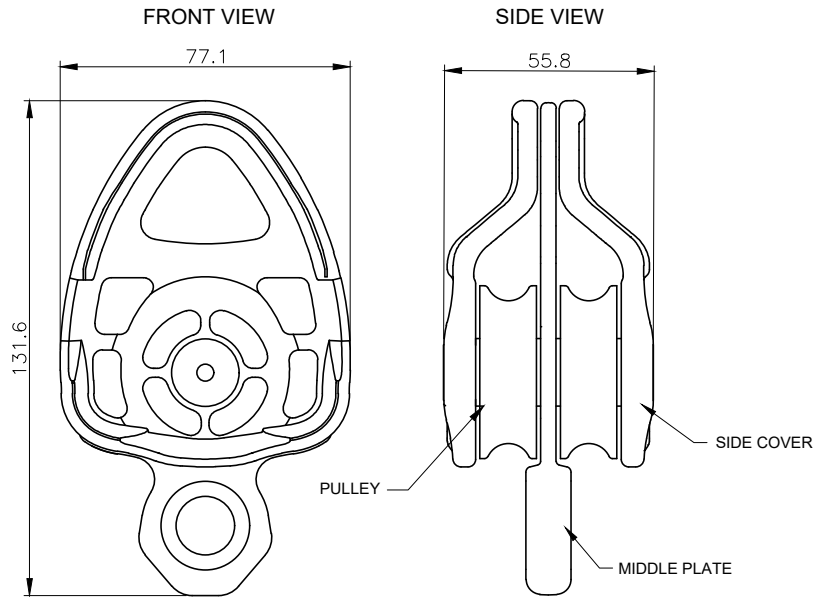


REVISION	02
DATE	16.03.23

TECHNICAL DATA SHEET

PRODUCT : DOUBLE ALUMINIUM ANCHORAGE PULLEY

REF NO. : AP 028



Conforms to EN 12278 : 2007

01	Design	<ul style="list-style-type: none"> • Double Aluminium anchorage pulley, light weight, movable side/middle plates which allow quick installation and coupling with a rope clamp. • Double anchorage pulleys allow to achieve mechanical advantages.
02	Material	<ul style="list-style-type: none"> • Aluminium Alloy.
03	Size and sheaves	<ul style="list-style-type: none"> • Pulley is Large enough to accomodate rope upto 12mm diameter.
04	Point of Attachment	<ul style="list-style-type: none"> • Attachment Point can accomodate a connector upto 16mm diameter.
05	Surface Finish	<ul style="list-style-type: none"> • Polished & Anodized.
06	Minimum Breaking Strength	<ul style="list-style-type: none"> • 45 kN
07	Vital test compliance	<ul style="list-style-type: none"> • Static Strength : 15KN for 3 Minutes. • Working Load : Rotates under 2kN Load (Applied load)

TECHNICAL DATA SHEET

08	Weight	<ul style="list-style-type: none">• 437.0 gms ± 20.0 gms.
----	--------	---

PRODUCT IMAGE

