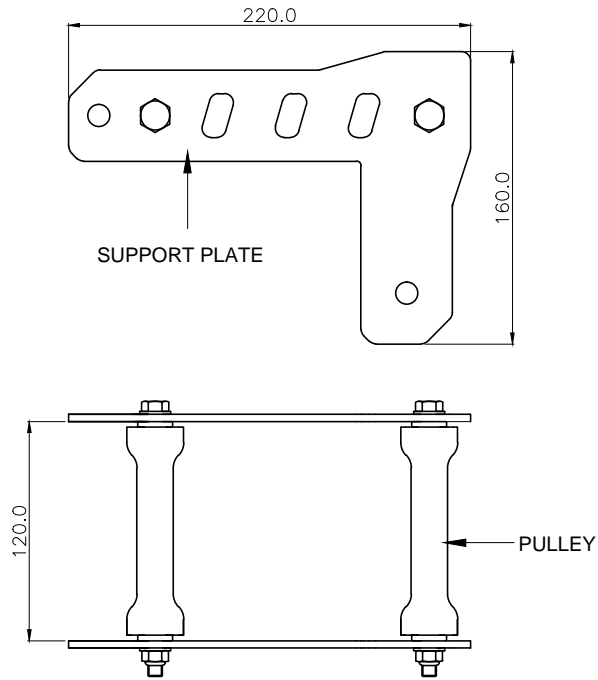


REVISION	01
DATE	31.08.21

TECHNICAL DATA SHEET

PRODUCT : EDGE PROTECTOR

REF NO. : ARC 06(120)



01	Design	<ul style="list-style-type: none"> • Edge protector, protect the rope from abrasion against an edge. • Comes with two rollers which rolls on ball bearing for easy movement of rope on edges. • Holes on both ends are provided to connect the sling for holding the edge protector.
02	Material	<ul style="list-style-type: none"> • Support plate : Alloy steel. • Roller : Stainless Steel.
03	FINISH	<ul style="list-style-type: none"> • Support plate : ED coated black. • Roller : Polished.

04	WEIGHT	• 1.77 kgs ± 0.02 kgs.
----	--------	------------------------

PRODUCT IMAGE

