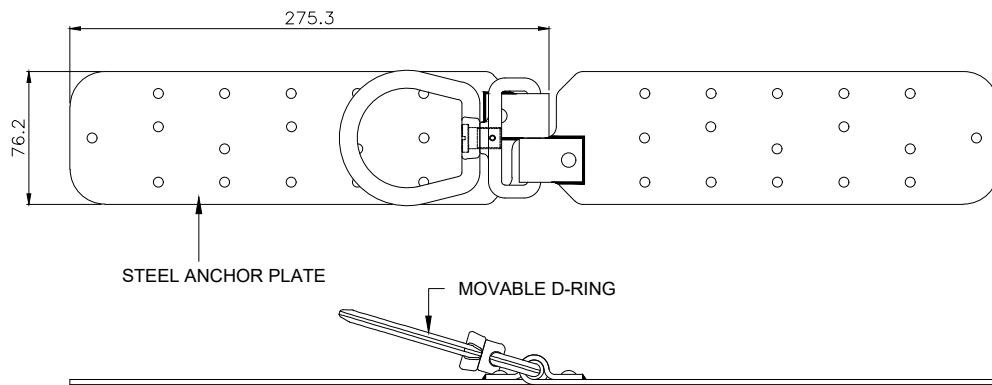


REVISION	03
DATE	29.01.22

TECHNICAL DATA SHEET

PRODUCT : STEEL ANCHOR WITH SWIVEL D-RING

REF NO. : SA 66



Conforms to EN795 : 2012 Type A

01	DESIGN	<ul style="list-style-type: none"> • An ideal Anchorage device to be fixed on wooden beams used in roofing. • Consists of two Steel flaps each having 16 holes which can be fitted on the two sides of a wooden beam by means of nails inserted in the holes. • Easy to install, light in weight and reusable. • The swivel D-Ring can be safely used as an Anchor point to prevent under twist in line.
02	MATERIAL	<ul style="list-style-type: none"> • High Strength Alloy Steel.
03	FINISH	<ul style="list-style-type: none"> • Shot blasted and blue passivation.
04	MINIMUM BREAKING STRENGTH	<ul style="list-style-type: none"> • 23 kN.
05	WEIGHT	<ul style="list-style-type: none"> • 1.140 kg \pm 0.050 kg.