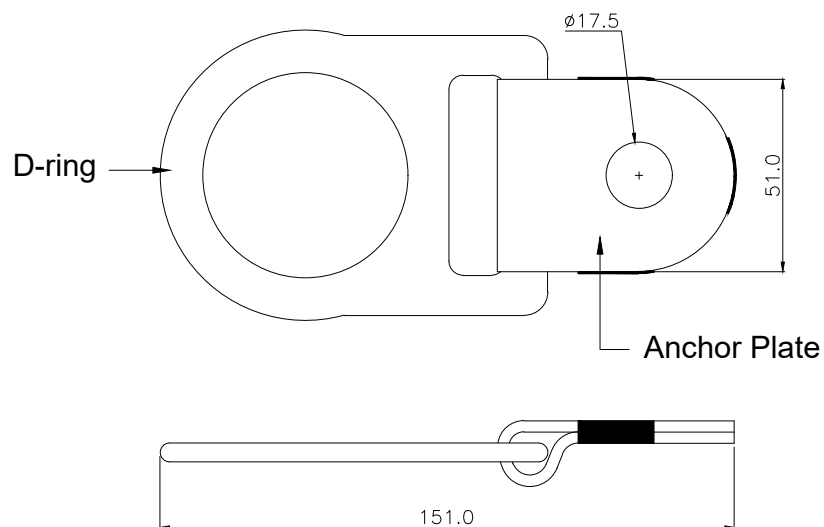


REVISION	03
DATE	29.01.22

TECHNICAL DATA SHEET

PRODUCT : D-RING ONE HOLE ANCHOR

REF NO. : SA 69



Conforms to EN795 : 2012 Type A

01	DESIGN	<ul style="list-style-type: none"> Anchor designed to be fixed on concrete as well as metal structures with help of M16 chemical and mechanical fasteners. The D-Ring can be safely used as an Anchor point.
02	MATERIAL	<ul style="list-style-type: none"> High Strength Alloy Steel.
03	FINISH	<ul style="list-style-type: none"> Shot blasted and blue passivation.
04	MINIMUM BREAKING STRENGTH	<ul style="list-style-type: none"> 23 kN.
05	WEIGHT	<ul style="list-style-type: none"> 0.280 kg \pm 0.020 kg.